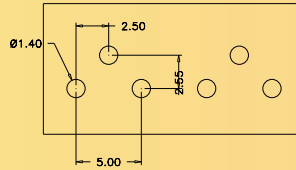
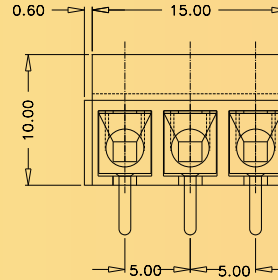
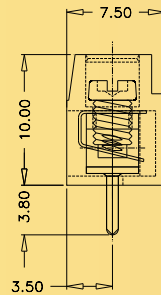
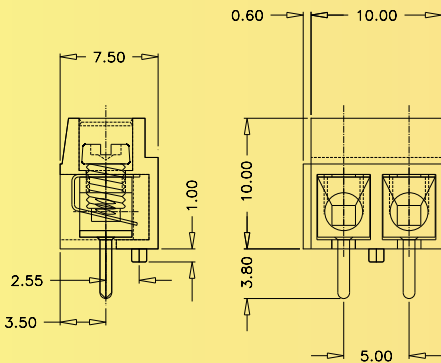
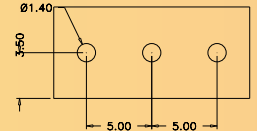


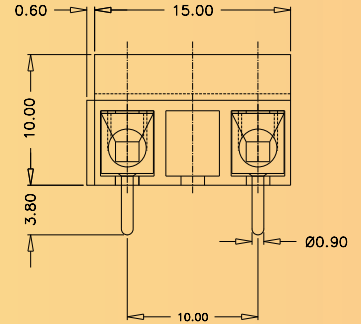
126 Pip
PCB Layout



PCB Layout



PBT 126-3



PBT 126-3(2)

TECHNICAL SPECIFICATION

Current Rating	10A
Voltage Rating	250V
Insulation Resistance	> 1000M ohms at 500V DC
Dielectric Strength	>2 KV
Moulded Material	Engineering Thermoplastic
Terminal	Solid Brass alloy - Tinned
Pitch	5.00mm
Screw	MS(Zinc Plated) / Brass Nickel Plated
Wire size	0.5-2.5 mm ²
Wire Protector	Copper alloy
Screw Size	M3
Max. torque for terminal Screws	0.4 Nm

Note : (1) Flame Retardent Grade Insulator Confirming to UL 94 V-0 available on Request.
(2) Recommended PCB hole 1.40 mm.

Series Also Includes...



500



501



350



381



PBT W



762



527



ETK 50



PUT 2.5