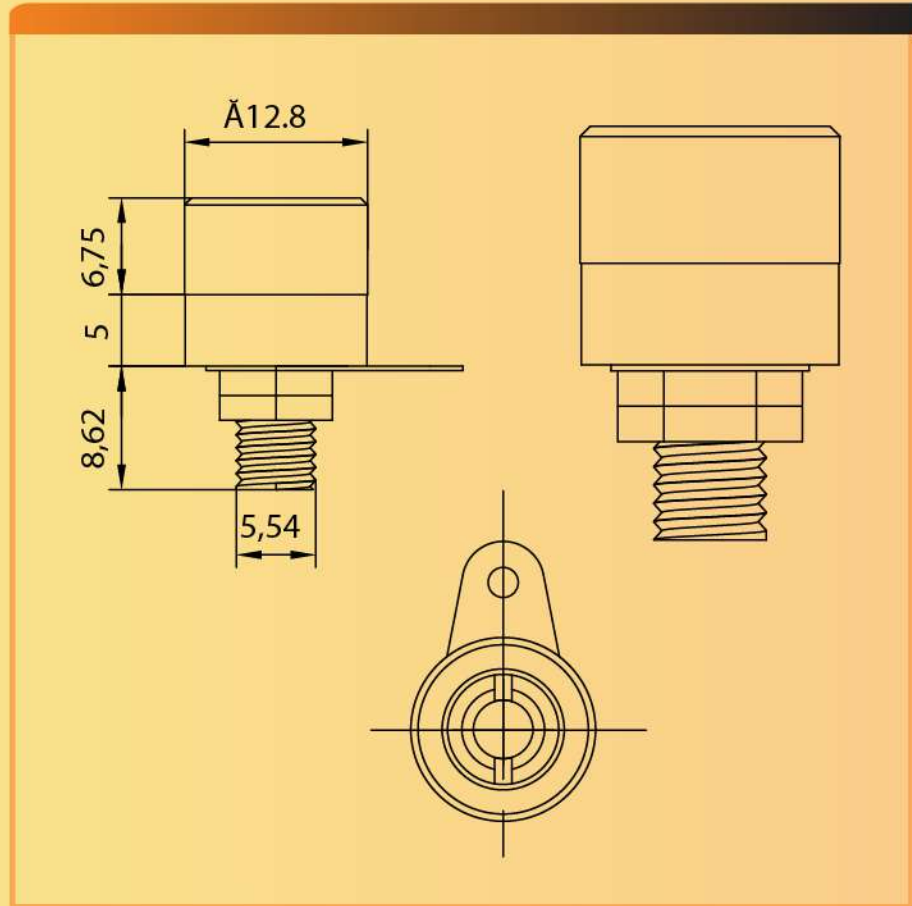


PANEL COUTOUT



Series Also Includes...

TECHNICAL SPECIFICATION

Note: All Dimension are in mm

PARAMETERS	SERIES	BS 5
Material -Body		ABS
Insulation Resistance		100 M Ohm Min, at 500 V DC
V/A Rating		10 Amps., 250 V AC
Contact Resistance		10 m Ohms max
Breckdown Voltage		2 KVAC for 1 min
Available Colours		Red,Black,Green,Blue,Yellow
Diameter		4 mm
Material - Terminals		Copper Alloy,Tin Plating
Permissible Temp.with/Without load		-20°C to +85°C

