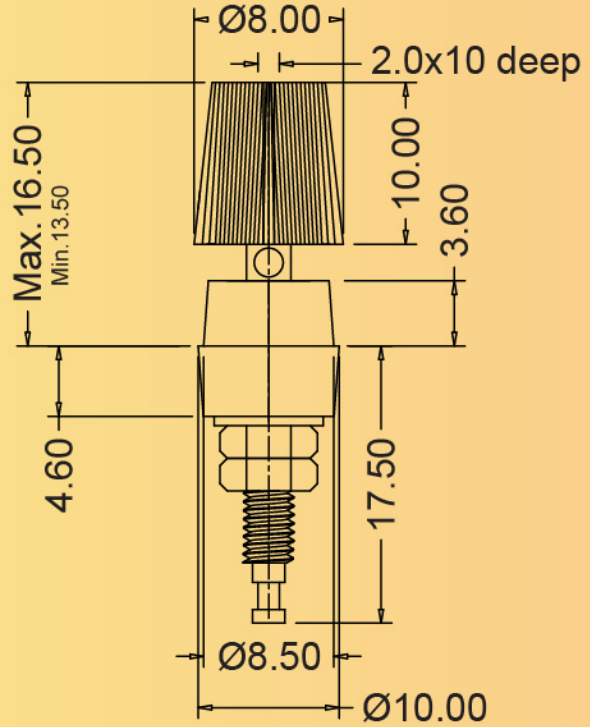


BTI - 5



BTI - 5

### TECHNICAL SPECIFICATION

Note: All Dimension are in mm

PARAMETERS	SERIES	BTI - 5
Mounting style		Panel Mounting
Current Rating		5A 250V AC
Insulation Resistance		1000M ohms Min.
H.V. Breakdown Test		2KV/AC For 1 Minute
Contact Resistance		5m ohms Max
Terminals		Screw Type
Thickness		2.5 Max
Permissible Temp.with/Without load		-20°C to +85°C

### Series Also Includes...



BTI-15



BTI-30



BTP-1



BTP-2



BS-5



BS-2

Note : (1) Recommended PCB hole 1.40mm.