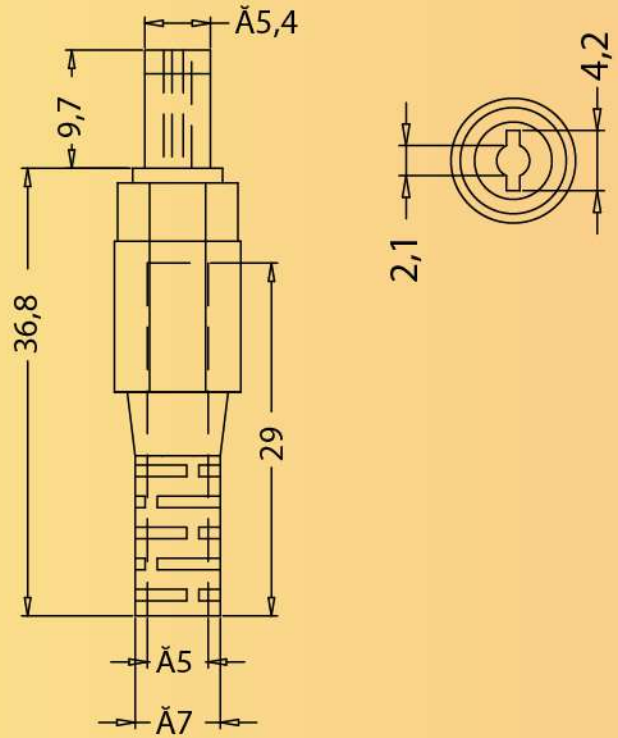




# PRIME COMPONENTS

*"Connections for life"*

POWER ENTRY COMPONENTS SERIES DC 021



DC 021

DC 021

## TECHNICAL SPECIFICATION

Note: All Dimension are in mm

PARAMETERS	SERIES	DC JACK
Function		DC outlet
Contac Type		DC male power connection
Dimensions		5.4(Outside Dimension) and 2.1 (Inside Dimension)
Current & Voltage Rating		1A/ 12 VDC
Features		High Strength, DURability, Easy to Connect
Colour		Black
Length of Wire		As Per Requirement

## Series Also Includes...



PMI 20



PPS 6



PMO 21



PUS 13



PMI 14



DC 022

Note : (1) Recommended PCB hole 1.40mm.

Off / Works : 830, GIDC Estate, Makarpura, Vadodara - 390010



[www.primecomponents.net](http://www.primecomponents.net)



+91-265-6642566/6670078, +91 9687676700



[sales@primecomponents.net](mailto:sales@primecomponents.net)