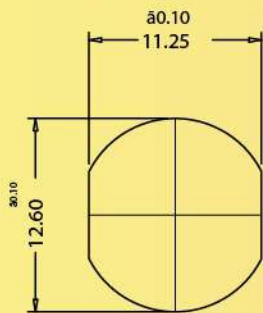
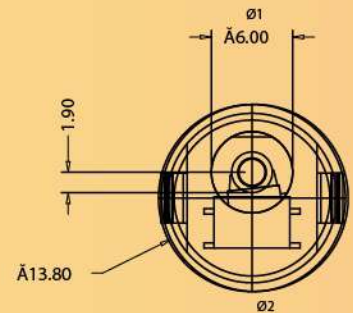
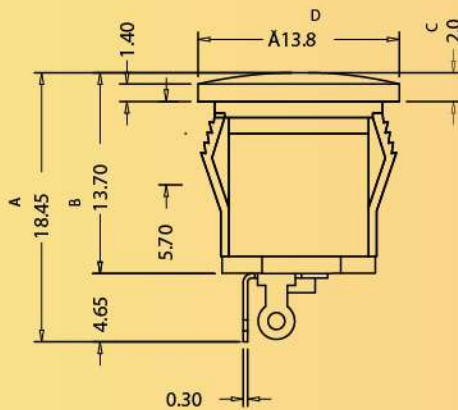




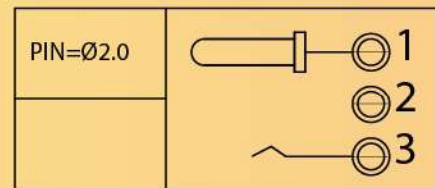
PRIME COMPONENTS

"Connections for life"

POWER ENTRY COMPONENTS SERIES DC 022



Panel Cutout
DC 022



DC 022

TECHNICAL SPECIFICATION

Note: All Dimension are in mm

PARAMETERS	SERIES	DC 022
Mounting		Screw on Mounting wall thickness max 5.5mm
Permissible Temp.with/Without load		-20°To70°c
No of Poles		2- Poles
Panel Thickness(Max.)		5.5mm max
Rating DC		0.5A/50 VDC
Insulation Resistance		>100 M ohms @ 500 VDC
Dielectric Strength		500 VDC
Terminal		Copper alloy, spring hard -Tin Plated
Life		5000 Insertion

Series Also Includes...



PMI 20



PPS 6



PMO 21



PUS 13



PMI 14



DC 021

Off / Works : 830, GIDC Estate, Makarpura, Vadodara - 390010

www.primecomponents.net

+91-265-6642566/6670078, +91 9687676700

sales@primecomponents.net