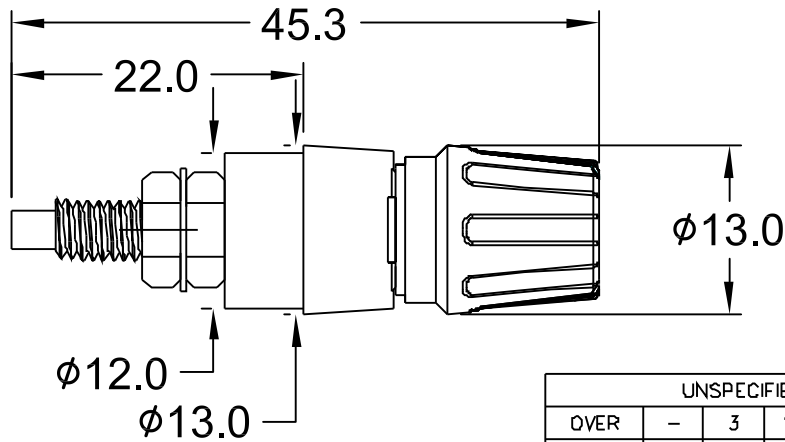
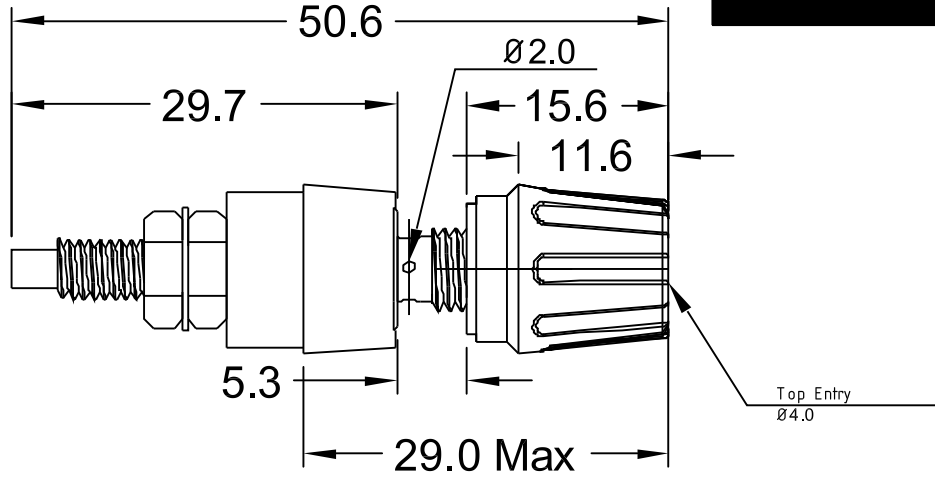


POWER ENTRY BANANA SOCKET



SERIES : BTI 15



UNSPECIFIED TOLERANCE							
OVER	-	3	10	18	30	50	80
UP TO	3	10	18	30	50	80	120
±	0.05	0.08	0.10	0.13	0.15	0.18	0.20

Note: All Dimension are in mm

TECHNICAL SPECIFICATION :

PARAMETERS	SERIES	BTI-15
Mounting style		Panel Mounting
Current Rating		15A 250V AC
Insulation Resistance		1000m ohms
Dielectric Strength		2KV/AC For 1 Minute
Contact Resistance		20M Ohms
Molded Material		Polyamide
Current Carrying Parts		Terminal: Brass, Nickel, Plated
Colours		Red, Yellow, Blue, Black, Green