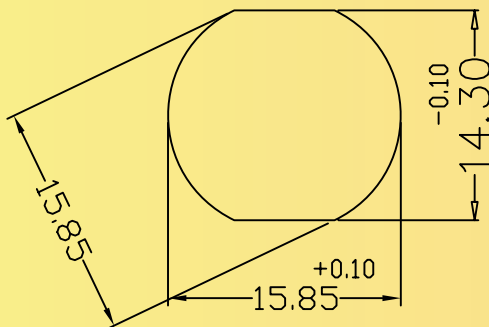
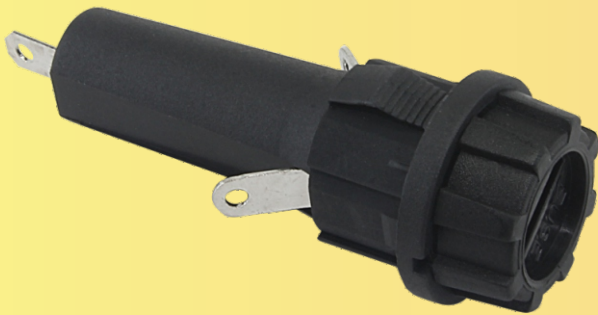


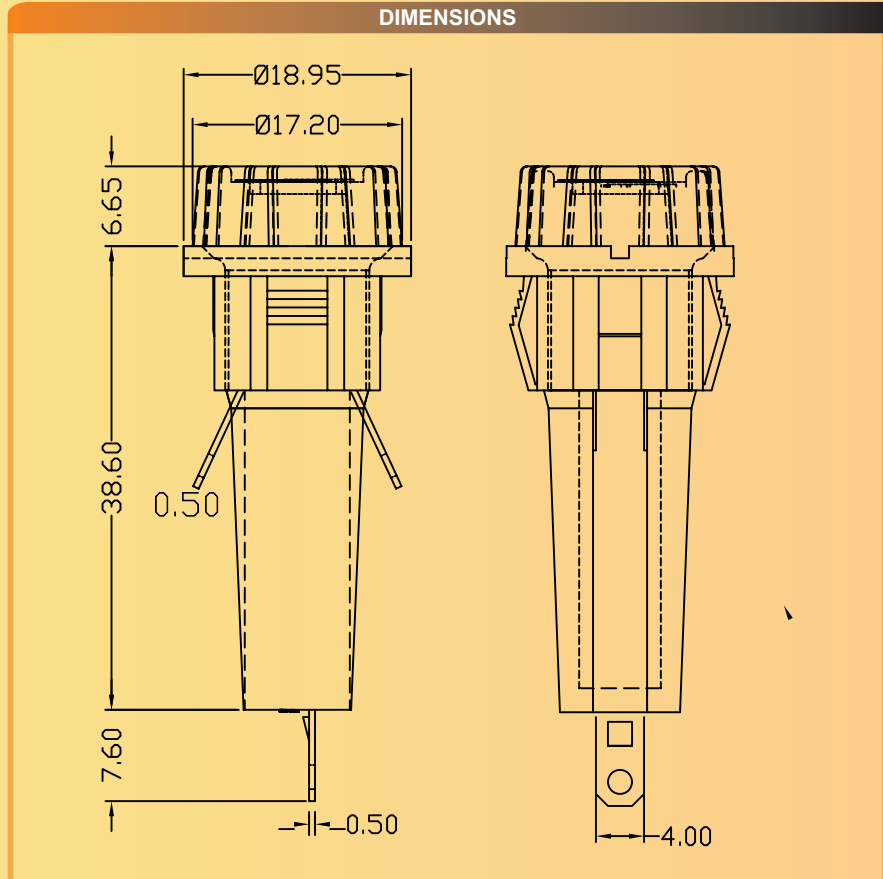


Series : FH 6S

DIMENSIONS



PANEL CUT OUT



Series Also Includes...



EFH 1



FH 6



FH 1

FH 1S



FH 7



FH R

Technical Specification

Mounting style	Panel, Snap In
Permissible Temp. with/Without load	0°C to +85°C
Permissible Temp. for Soldering	270° for 5 seconds max.
Panel Thickness (Max.)	3mm (Max.)
Material:	Engg. Thermoplastic
Insulation Resistance	1000 M Ohms min.
H.V. Break Down	2KV/AC For 1 Minute
Current Carrying Parts	Brass, Tin Plated
contact Resistance (Initial)	10 m Ohms max.
Cap Design	Screw-In With Coin Slot
App. Weight (gm)	9.5
Fuse Link Size	6.3x32 mm
Rated Current/Voltage	10 Amps/250V AC
Terminals	Solder type