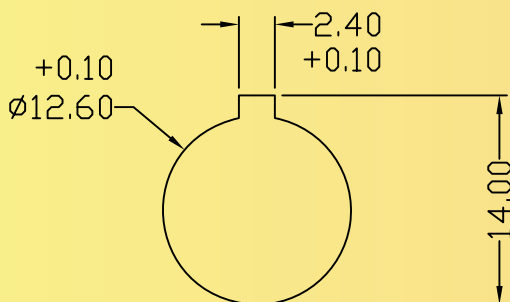


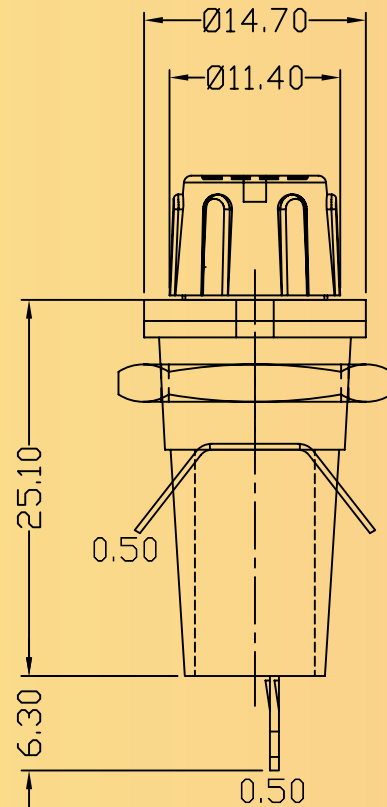


Series : FH 7



PANEL CUT OUT

### DIMENSIONS



## Series Also Includes...



FH 6



FH 6S



FH 1

FH 1S



EFH 1



FH R

### Technical Specification

Mounting style	Panel, Screw Up
Permissible Temp.with/Without load	20°C to +85°C
Permissible Temp. for Soldering	270° for 5 seconds max.
Panel Thickness(Max.)	3mm(Max.)
Material:	Polyamide G.F.
Insulation Resistance	1000 M Ohms min.
H.V. Break Down	2KV/AC For 1 Minute
Current Carrying Parts	Brass, Tin Plated
contact Resistance(Initial)	10 m Ohms max.
Cap Design	Screw-In with coin slot
App.Weight(gm)	4.1
Fuse Link Size	5 X 20 mm
Rated Current/Voltage	6.3 Amps/250V AC
Terminals	Solder type