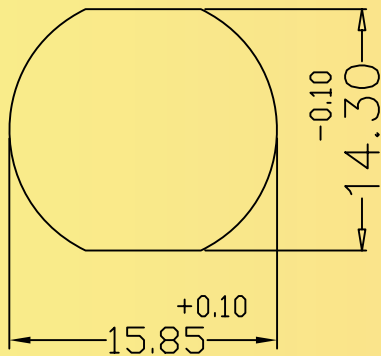
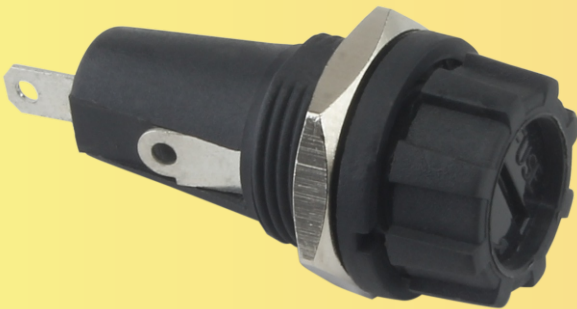


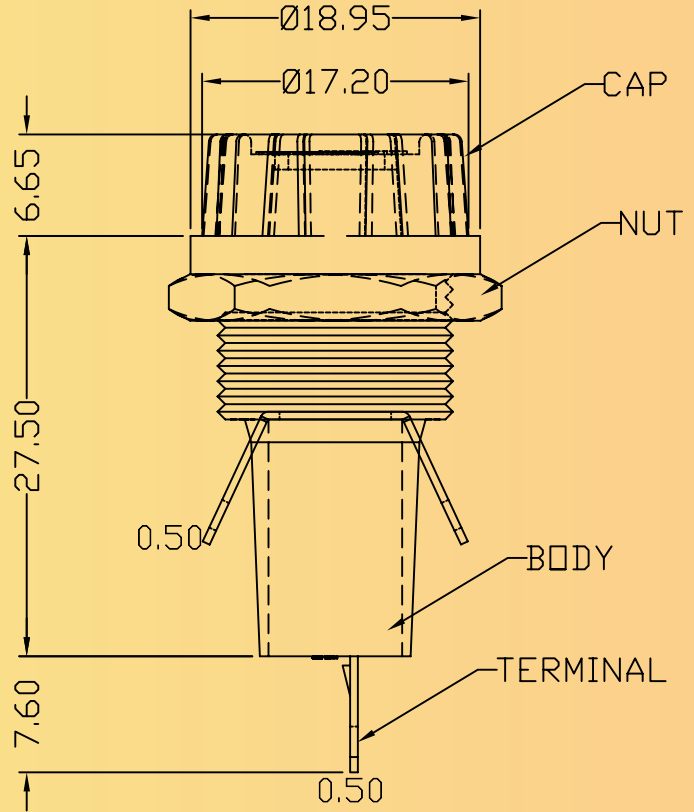


Series : FH R



PANEL CUT OUT

DIMENSIONS



Series Also Includes...



FH 6



FH 6S



FH 1

FH 1S



EFH 1



FH 7

Technical Specification

Mounting style	Panel, Snap Up
Permissible Temp.with/Without load	0°C to +85°C
Permissible Temp. for Soldering	270° for 5 seconds max.
Panel Thickness(Max.)	3mm(Max.)
Material:	Engg. Thermoplastic
Insulation Resistance	1000 M Ohms min.
H.V. Break Down	2KV/AC For 1 Minite
Current Carrying Parts	Brass, Tin Plated
contact Resistance(Initial)	10 m Ohms max.
Cap Design	Screw-In with coin slot
App.Weight(gm)	8.5
Fuse Link Size	5 X 20 mm
Rated Current/Voltage	10 Amps/250V AC
Terminals	Solder type