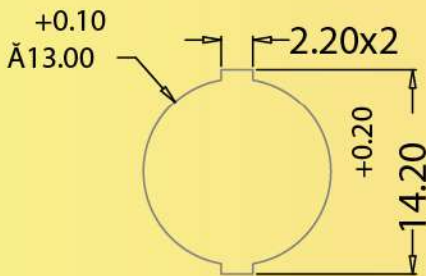
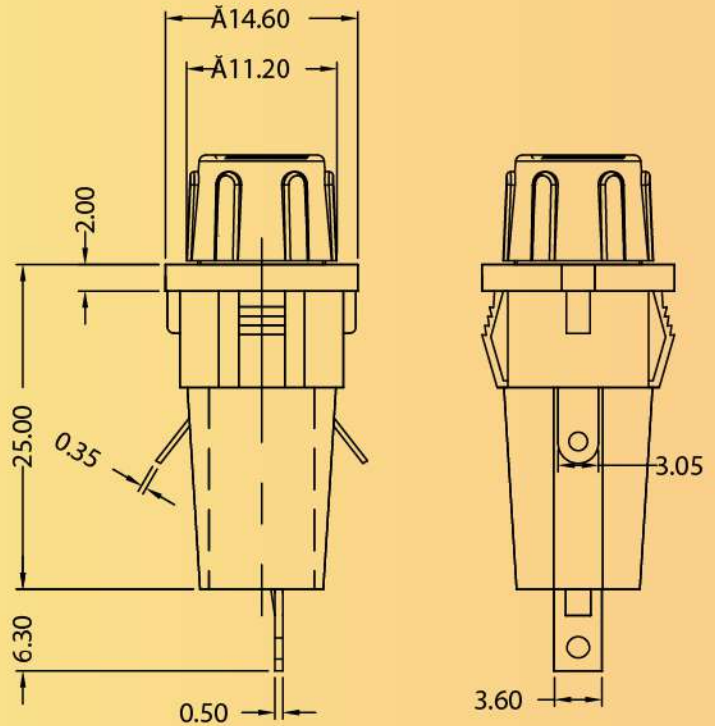




PANEL CUT OUT



FH7 S



FH7 S

TECHNICAL SPECIFICATION

Note: All Dimension are in mm

PARAMETERS	SERIES	FH7 S
Mounting style		Panel, Snap-in
Permissible Temp. with/Without load		-20°C TO 85°C
Permissible Temp. for Soldering		270° for 5 seconds max.
Panel Thickness(Max.)		2mm max.
Material:		Polyamide G.F
Insulation Resistance		1000 M Ohms min.
H.V. Break Down		2KV/AC For 1 Minute
Current Carrying Parts		Brass, Tin Plated
Contact Resistance(Initial)		10 m Ohms max.
Cap Design		Screw-In
App.Weight(gm)		4.5 (1/2" 26 TPI BSB)
Fuse Link Size		5x20 mm
Rated Current/Voltage		6.3 Amps/250V AC
Terminals		Solder type

Note : (1) Recommended PCB hole 1.40mm.

Series Also Includes...

