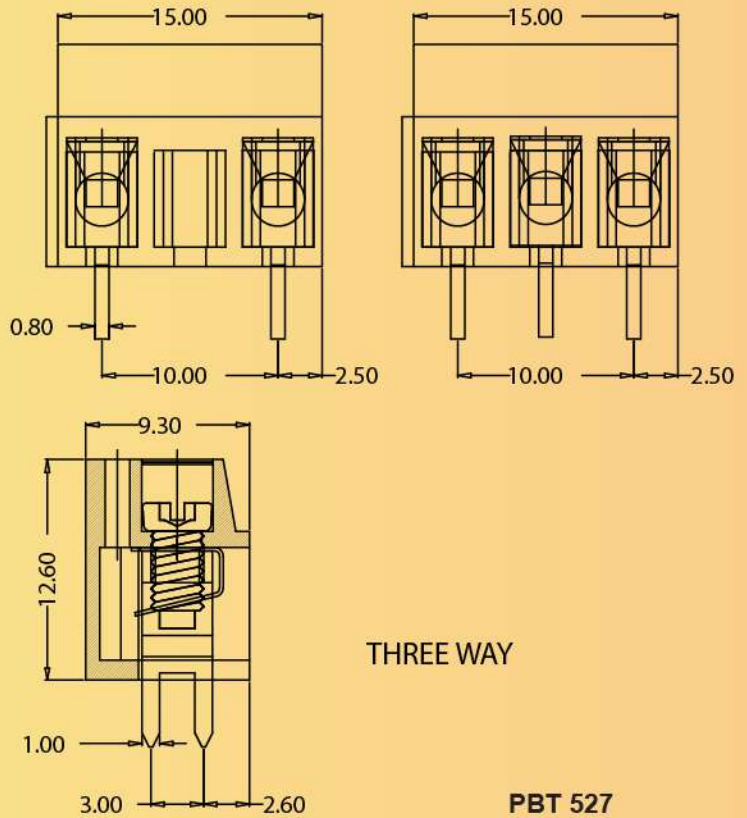


**TWO WAY
PBT 527**



**THREE WAY
PBT 527**

TECHNICAL SPECIFICATION

Note: All Dimension are in mm

PARAMETERS	SERIES	527-2WAY AND 3(2)WAY
Current Rating		10A
Voltage Rating		300VAC
Insulation Resistance		> 1000M ohms at 500V DC
Dielectric Strength		>2 KV
Moulded Material		Engineering Thermoplastic
Terminal		Solid Brass alloy - Tinned
Pitch		5.00mm
Screw		Steel CR Zinc Plated
Wire size without Protector		0.50-2.50 Sq.mm
Wire Protector		Copper alloy
Screw Size		M3
Max. torque for terminal screws		0.4 Nm

Note : (1) Recommended PCB hole 1.40mm.

Series Also Includes...

