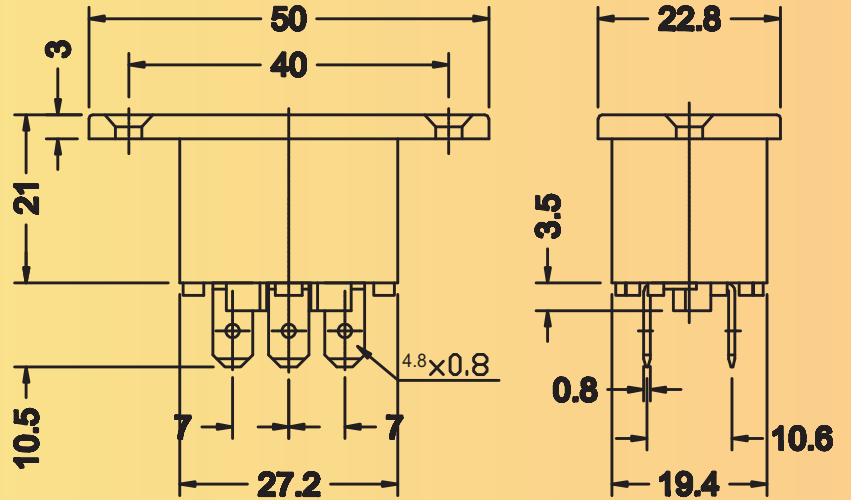


DIMENSIONS



Series Also Includes...

TECHNICAL SPECIFICATION

Current/Voltage Rating	10A / 250V AC
Mounting Style	Panel, Screw Up
Permissible Temp. With/Without	0° C to 70° C
Permissible Temp. For Soldering	270° For 5 Second Max.
Panel Thickness(Max.)	0.80 to 2.0mm
Material	Polyamide
Insulation Resistance	1000 M Ohms Min.
H.V. Break Down	2KV/AC For 1 Min.
Current Carrying Part	Brass, Tin Plated
Contact Resistance(Initial)	20 M Ohms Max.
Terminals	5.00 X 0.8 mm Solder Type
Panel Cut Out	19.8 X 27.4 mm



PPS 6



PMO 71



DC 022



PPS 16



PMO 21