



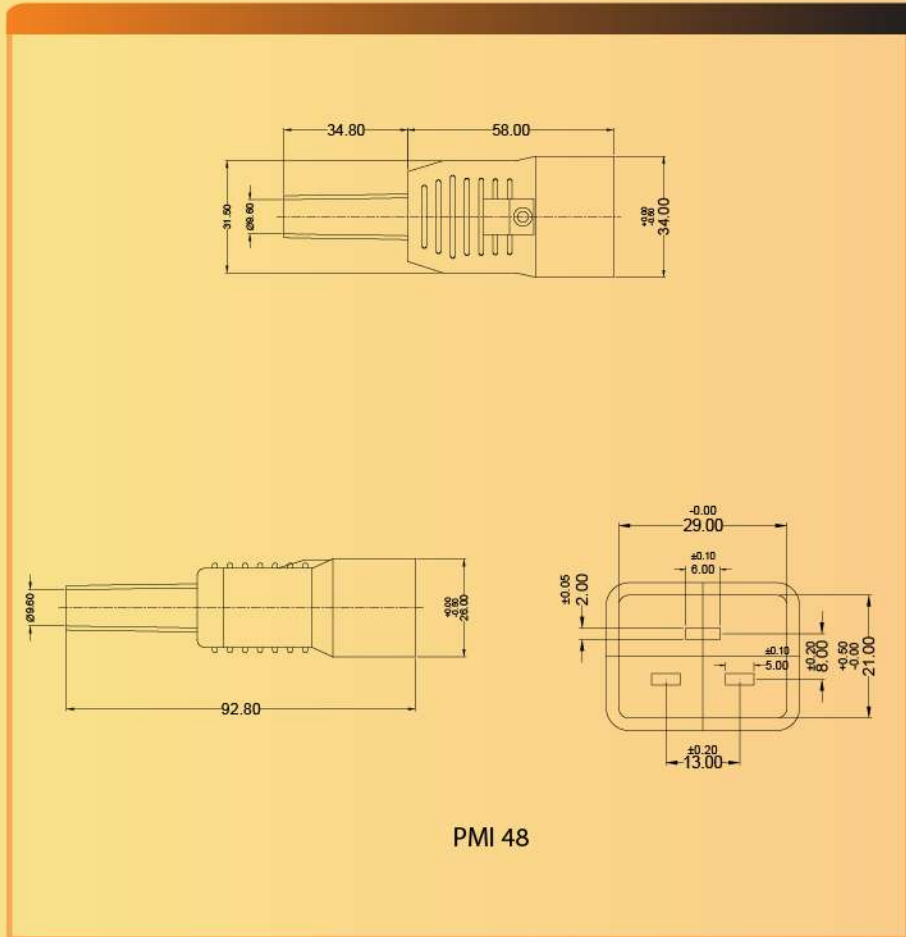
# PRIME COMPONENTS

*"Connections for life"*

POWER ENTRY COMPONENTS SERIES PMI 48



PMI 48



PMI 48

## TECHNICAL SPECIFICATION

Note: All Dimension are in mm

PARAMETERS	SERIES	PMI 48
Product Category		Rewirable Plug Connector
Gender		Male
IEC Configuration		IEC C20
Appliance Class		Class I - Cold Condition
V/A Rating		16A, 250VAC
Insulation Resistance at 500VDC		100 M ohms Min.
H.V Break Down Test (For 1-Minute)		2 KVAC
Contact Resistance (Initial)		10 m ohms Max
Operating Temperature		0°C To 65°C
Permissible Temperature		270°C, 5 second max.
Max. Pin Temperature		+65°C
Terminals (Standard)		Screw-Type
Body		Nylon 6
Colour (Standard)		Black
Current Carrying Parts		Cu Alloy, Tin/Nickel Plating

## Series Also Includes...



PMI 48



PMI 40



PMO 40

Off / Works : 830, GIDC Estate, Makarpura, Vadodara - 390010



www.primecomponents.net



+91-265-6642566/6670078, +91 9687676700



sales@primecomponents.net