



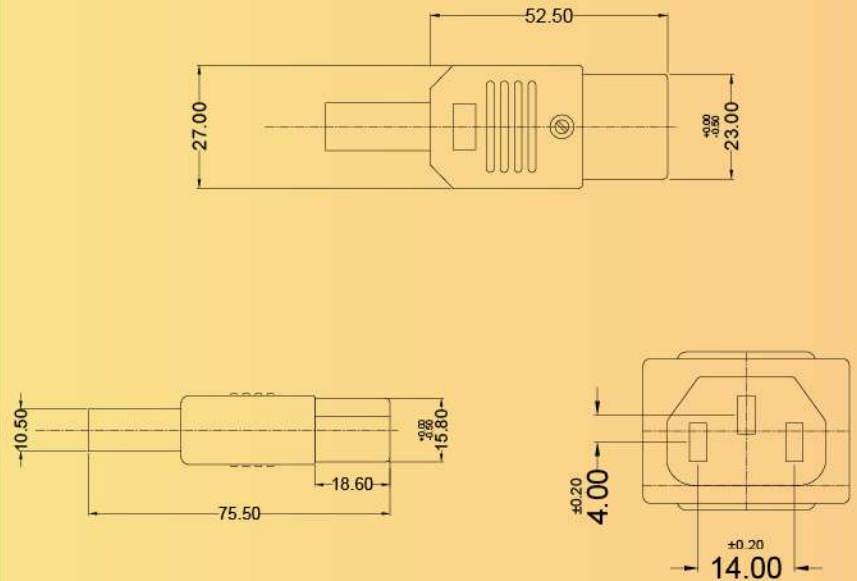
# PRIME COMPONENTS

*"Connections for life"*

POWER ENTRY COMPONENTS SERIES PMO 40



PMO 40



PMO 40

## TECHNICAL SPECIFICATION

Note: All Dimension are in mm

PARAMETERS	SERIES	PMO 40
Product Category		Rewirable Plug Connector
Gender		Female
IEC Configuration		IEC C13
Appliance Class		Class I - Cold Condition
V/A Rating		10A, 250VAC
Insulation Resistance at 500VDC		1000 M ohms Min.
H.V Break Down Test (For 1-Minute)		2 KVAC
Contact Resistance (Initial)		10 m ohms Max
Operating Temperature		-25°C To +65°C
Max. Pin Temperature		+65°C
Terminals (Standard)		Screw-Type
Body		Nylon 6
Colour (Standard)		Black
Current Carrying Parts		Cu Alloy, Tin Plating

## Series Also Includes...



PMI 48



PMI 40



PMO 48

Off / Works : 830, GIDC Estate, Makarpura, Vadodara - 390010



[www.primecomponents.net](http://www.primecomponents.net)



+91-265-6642566/6670078, +91 9687676700



[sales@primecomponents.net](mailto:sales@primecomponents.net)