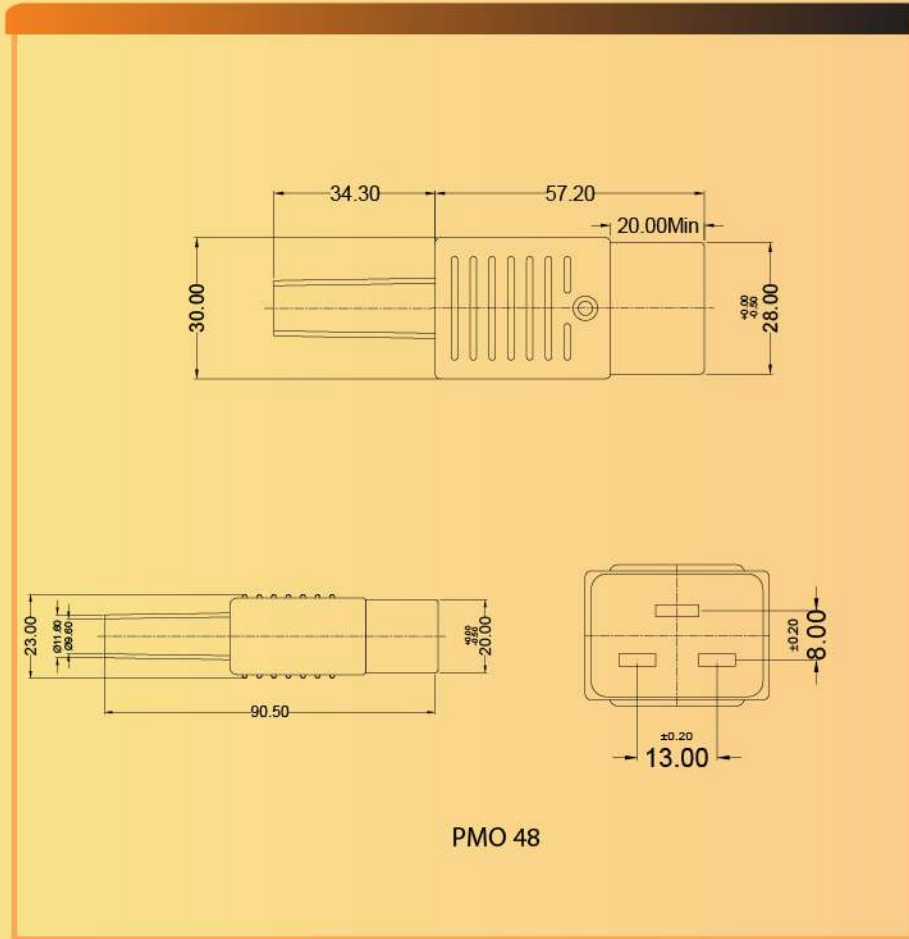




PMO 48



PMO 48

### TECHNICAL SPECIFICATION

Note: All Dimension are in mm

PARAMETERS	SERIES	PMO 48
Product Category		Rewirable Plug Connector
Gender		Female
IEC Configuration		IEC C19
Appliance Class		Class I - Cold Condition
V/A Rating		16A, 250VAC
Insulation Resistance at 500VDC		1000 M ohms Min.
H.V Break Down Test (For 1-Minute)		2 KVAC
Contact Resistance (Initial)		10 m ohms Max
Operating Temperature		-25°C To +65°C
Max. Pin Temperature		+65°C
Terminals (Standard)		Screw-Type
Body		Nylon 6
Colour (Standard)		Black
Current Carrying Parts		Cu Alloy, Tin/Nickel Plating

### Series Also Includes...



PMI 48



PMI 40



PMO 40

