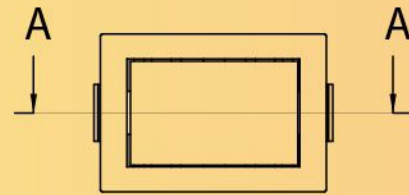
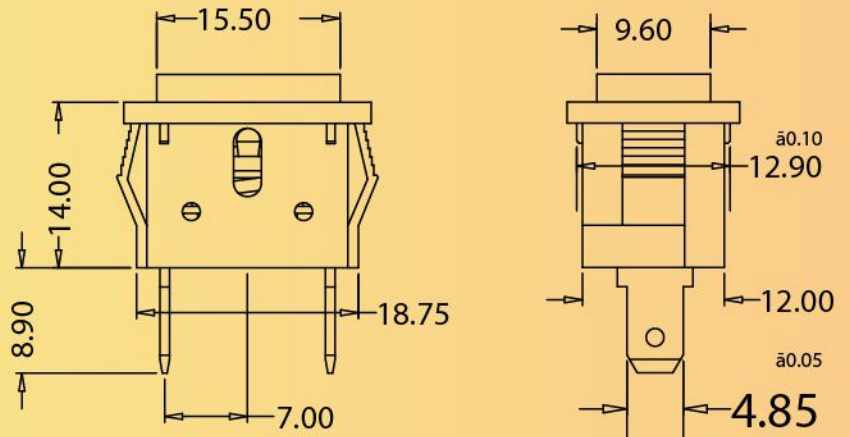


PPS 1



PPS 1

TECHNICAL SPECIFICATION

Note: All Dimension are in mm

PARAMETERS	SERIES	PPS 1
Switch Type		Non-Illuminated
Model		PUSH TO ON
Current Rating		2A 250V AC
Insulation Resistance		> 100 M ohm min 500V DC
Dielectric Strength		> 1KV, 1 Minute
contact Resistance		10M Ohms max.
Terminal Stype		Fast On 4.8x0.80mm
Permissible Temp. for Soldering		27°C, 5 sec. Max.
Moulded Material (Housing)		PA
Moulded Material (Rocker)		PA
Center Terminal		Brass (Tin plated)
Side Terminal		Brass (Tin plated)
Contact		Brass (Dimple)
Fixing		Sanp Mounting
Electrical Endurance		10,000 Cycles

Sp. colour available on MOQ.

Series Also Includes...



PRS 2



PRS 3



PRS 4



PRS 5



PRS 6



PRS 10



PRS 16



PRS 17 203



PRS 18 202