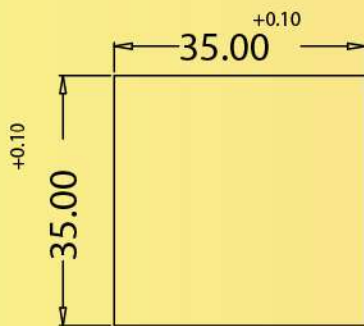
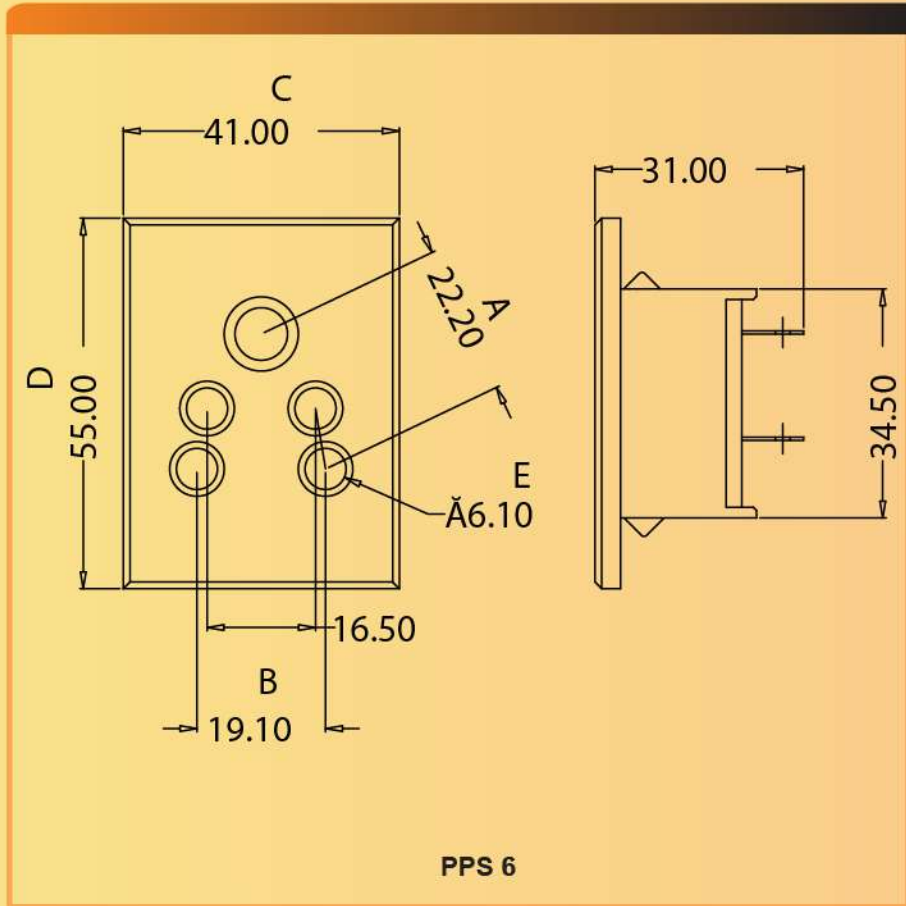




PANEL CUT OUT



PPS 6



PPS 6

TECHNICAL SPECIFICATION

Note: All Dimension are in mm

PARAMETERS	SERIES	PPS 6
Function		Mains outlet
Mounting style		Panel, Snap-in
Permissible Temp. with/Without load		0-70°C
Permissible Temp. for Soldering		270° for 5 seconds max.
Panel Thickness(Max.)		0.80 to 2.0mm
Material:		Polyamide Nylon
Insulation Resistance		1000 M Ohms min.
H.V. Break Down		2KV/AC For 1 Minute
Current Carrying Parts		EC : MS/Brass, NCL : Brass, Tin Plated
Ref.Std.		IS:1293, IEC 83
contact Resistance(Initial)		20 m Ohms max.
Rated Current/Voltage		6A,250 VAC
Terminals		4.7x0.50mm Solder type with hole

Series Also Includes...



PMI 20



PPS 16



PMO 21



PUS 13



PMI 14



PMI 11