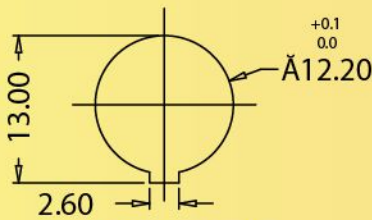




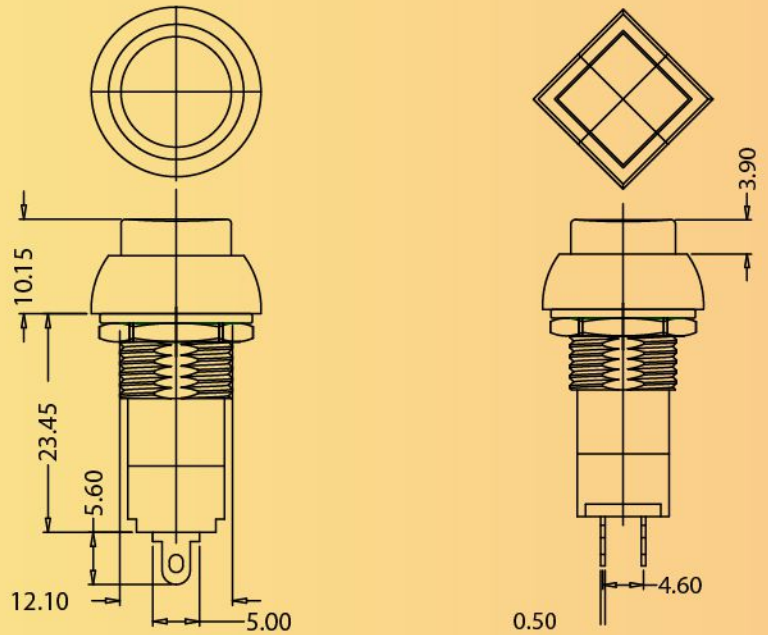
# PRIME COMPONENTS

*"Connections for life"*

## ROCKER SWITCH SERIES PPS-3L



PANEL COUTOUT



### TECHNICAL SPECIFICATION

Note: All Dimension are in mm

PARAMETERS	SERIES	PPS-3
Switch Type		PUSH BUTOON SWITCH (SQUARE/ROUND)
Model		LATCHED TYPE PUSH TO ON/OFF
Current Rating		3A 250V AC
Insulation Resistance		>100 M ohm min 500V DC
Dielectric Strength		>1KV, 1 Minute
Contact Resistance		10M Ohms max.
Permissible Temp. for Soldering		27°C, 5 sec. Max.
Moulded Material ( Housing)		PA
Moulded Material ( Rocker)		PA
Center Terminal		Brass (Silver/Tin plated)
Side Terminal		Brass/Copper(Silver/Tin plated)
Contact		Brass/Copper(Dimple)
Fixing		Sanp Mounting
Electrical Endurance		10,000 Cycles

### Series Also Includes...



PRS 1



PRS 2



PRS 4



PRS 5



PRS 6



PRS 11



PRS 10



PRS 16



PRS 18 202

Off / Works : 830, GIDC Estate, Makarpura, Vadodara - 390010



www.primecomponents.net



+91-265-6642566/6670078, +91 9687676700



sales@primecomponents.net