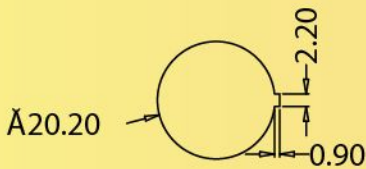
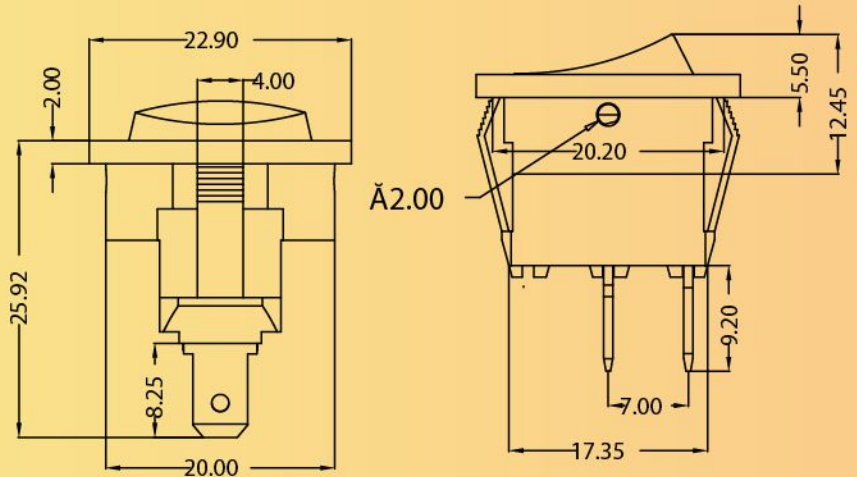




PANEL CUTOUT



PRR 2 102 NI



Circuit Diagram



PRR 2 102 NI

TECHNICAL SPECIFICATION

Note: All Dimension are in mm

PARAMETERS	SERIES	PRR 2 - 2A	PRR 2 - 6A
Switch Type		Non-Illuminated	Non-Illuminated
Model		SPST	SPST
Current Rating		2A 250V AC	6A 250V AC/9A, 125V AC
Insulation Resistance		> 100 M ohm min 500V DC	> 100 M ohm min 500V DC
Dielectric Strength		> 1KV, 1 Minute	> 1KV, 1 Minute
contact Resistance		10M Ohms mix.	10M Ohms mix.
Terminal Style		Fast On 4.8x0.80mm	Fast On 4.8x0.80mm
Permissible Temp. for Soldering		270°, 5 sec. Max.	270°, 5 sec. Max.
Moulded Material (Housing)		PA	PA
Moulded Material (Rocker)		PA	PA
Center Terminal		Brass (Tin plated)	Brass (Tin plated)
Side Terminal		Brass(Tin plated)	Copper(Tin plated)
Centre Contact		Brass(Dimple)	Brass with Copper/Bimetal Rivet
Fixing		Sanp Mounting	Sanp Mounting
Electrical Endurance		10,000 Cycles	10,000 Cycles
Sp. colour available on MOQ.			

Series Also Includes...



PRR 5 201



PRS 6



PRS 16 201