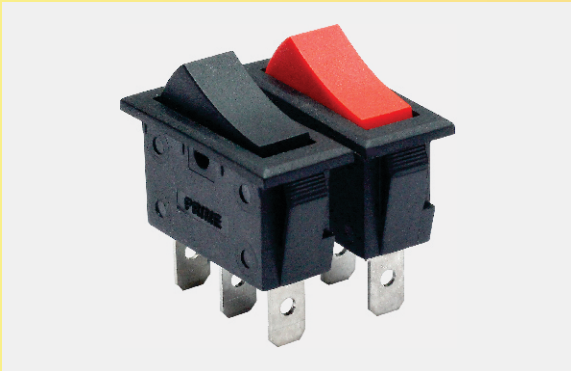
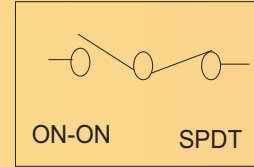




## Rocker Switch PRS 10 Series

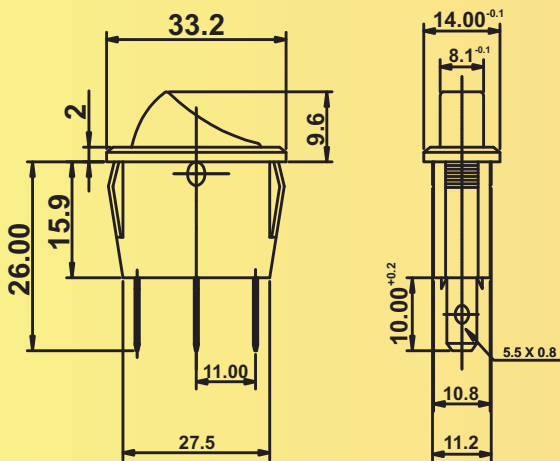


### CIRCUIT DIAGRAM



- Current rating : 16A, 250VAC/20A 125VAC  
6A 250VAC/9A 125V AC, 12V/24V DC
- Function : 101 (SPDT)
- Type : NI (NON Illuminated)
- Cut out Size : 11 mm X 30 mm

### DIMENSIONS



### TECHNICAL SPECIFICATION

|   |   |  |
|---|---|--|
| INSULATION RESISTANCE (New State)<br>at 500V DC for 1minute                                 | > 100 megohms.  | Ref : EN 61058-1                                   |
| CONTACT RESISTANCE (New State)  | < 10 milliohms  | Ref : EN 61058-1                                   |
| DIELECTRICAL STRENGTH (New State)   | Across reinforced insulation<br>Across full disconnection<br>Across micro disconnection | 3000V<br>1500V<br>500V<br>Ref : EN 61058-1         |
| High voltage resistance   | >1500V 1 min.   |  |
| TERMINAL STRENGTH<br>Push and pull forces for terminals in Newtons (N<br>(Ref : EN 61058-1) | Terminal Size<br>5.5/6.3 x 0.8 mm.  | Push - N<br>96                                     |
|   |   | Pull - N<br>88                                     |
| Mechanical life:  | Over 30000 cycles   |  |
| ELECTRICAL ENDURANCE  | 10,000 CYCLES min.<br>6,000 CYCLES min.   | Ref.: EN :61058-1<br>(CSA- C22.2 No.55)            |
| DEGREE OF PROTECTION  | IP 30/40  | Ref.: EN :61058-1                                  |
| PROTECTION AGAINST ELECTRIC SHOCK   | CLASS II APPLIANCE  | Ref.: EN :61058-1                                  |
| HEAT & FIRE RESISTANCE  | LEVEL 3 Glow wire test at 850° C  | Ref.: EN :61058-1                                  |
| DEGREE OF POLLUTION   | 2 (NORMAL)  | Ref.:EN :61058-1                                   |
| Ambient temperature:  | -20°C to +85°C  |  |
| TEMPERATURE RISE AT THE TERMINALS<br>(ACCORDING TO ELECTRICAL LIFE ENDURANCE)               | max. 30° c<br>max. 55° c  | (CSA- C22.2 No.55)<br>(UL- 1054 )<br>(EN :61058-1) |
| RoHS COMPLIANT  | YES   |  |
| Atmospheric humidity  | Max.85%   |  |
| Solder ability of terminal  | Max 350°C,3s / 270°C,5s   |  |

### PANEL CUT OUT

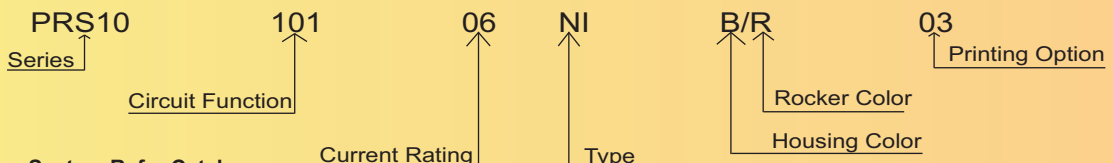
| Panel Thickness z (mm) | X (mm) | Y (mm) |
|------------------------|--------|--------|
| 0.70~1.25              | 11.00  | 30.00  |
| 1.25~2.00              | 11.00  | 30.20  |
| 2.00~3.00              | 11.00  | 30.40  |

### MATERIALS

Housing : Polyamide (Nylon 66) - UL 94, V-2  
 Rocker : Polyamide (Nylon 66) - UL 94, V-2  
 Contacts : Silver alloy / Cu alloy  
 Terminal : Cu Alloy Silver / Tin plated  
 Movable Arm : Cu Alloy, Silver/ Tin Plated

### ORDERING SYSTEM

Ordering Code : PRS 10 101 06 NI B/R-03



Note : For Details Of Ordering System Refer Catalogue

Off / Works : 830, GIDC Estate, Makarpura, Vadodara - 390010

www.primecomponents.net

+91-265-6642566/6670078, +91 9687676700

sales@primecomponents.net