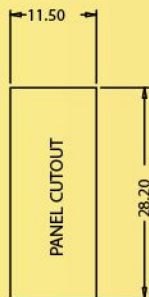




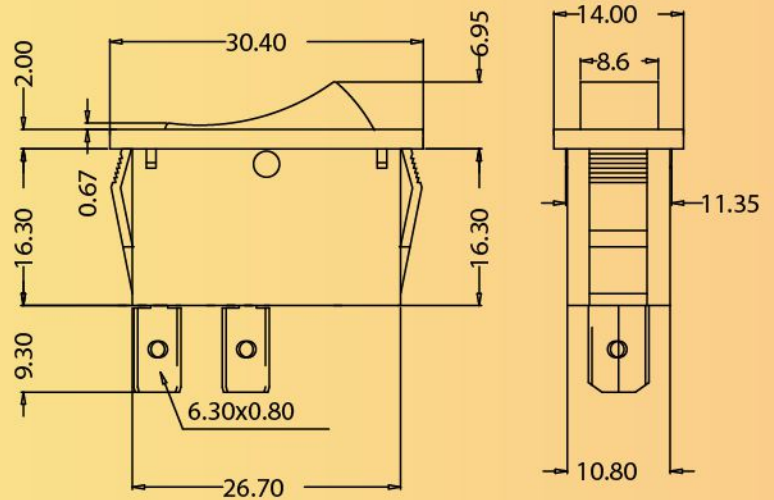
PRIME COMPONENTS

"Connections for life"

ROCKER SWITCH SERIES PRS 11



PRS 11 102



Circuit Diagram



PRS 11 102

TECHNICAL SPECIFICATION

Note: All Dimension are in mm

PARAMETERS	SERIES	PRS 11-6A	PRS 11-16A
Switch Type		Non-Illuminated	Non-Illuminated
Model		SPST	SPST
Current Rating		6A,250V AC/9A 125V AC	16A,250V AC/20A 125V AC
Insulation Resistance		>20 M Ohm	>20 M Ohm
Dielectric Strength		>3KV	>3KV
contact Resistance		<10M Ohms mix.	<10M Ohms mix.
Terminal Type		Fast On 6.3x0.80	Fast On 6.3x0.80
Permissible Temp. for Soldering		270°, 5 sec. Max.	270°, 5 sec. Max.
Moulded Material (Housing)		PA	PA
Moulded Material (Rocker)		PA	PA
Center Terminal		Brass (Tin plated)	Brass (Tin plated)
Side Terminal		Brass(Tin plated)	Brass(Tin plated)
Centre Contact		Brass(Tin plated)	Brass(Tin plated)
Fixing		Sanp Mounting	Sanp Mounting
Electrical Endurance		>10,000 Cycles	>10,000 Cycles
Sp. colour available on MOQ.			

Series Also Includes...



PRS 1



PRS 3



PRS 4



PRS 5



PRS 6



PRS 10



PRS 16



PRS 17 203



PRS 18 202

Off / Works : 830, GIDC Estate, Makarpura, Vadodara - 390010



www.primecomponents.net



+91-265-6642566/6670078, +91 9687676700



sales@primecomponents.net