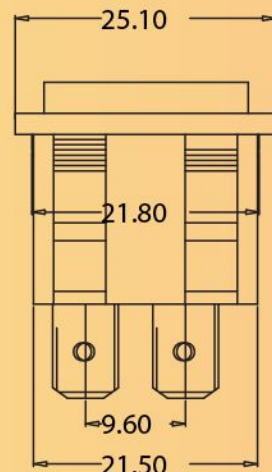
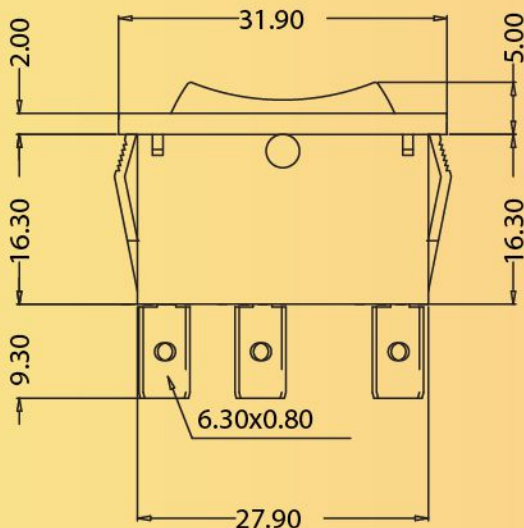
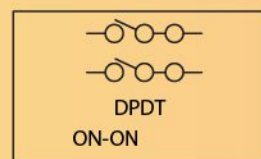


PRS 17 201



Circuit Diagram



PRS 17 201

TECHNICAL SPECIFICATION

Note: All Dimension are in mm

PARAMETERS	SERIES	PRS 17-6A	PRS 17-16A
Switch Type		Non-Illuminated	Non-Illuminated
Model		DPDT	DPDT
Current Rating		6A,250V AC/9A 125V AC	16A,250V AC/20A 125V AC
Insulation Resistance		>20 M Ohm min 500V DC	>20 M Ohm min 500V DC
Dielectric Strength		>3KV	>3KV
contact Resistance		10M Ohms mix.	10M Ohms mix.
Terminal Type		Fast On 5.5x0.80mm	Fast On 5.5x0.80mm
Permissible Temp. for Soldering		270°, 5 sec. Max.	270°, 5 sec. Max.
Moulded Material (Housing)		PA	PA
Moulded Material (Rocker)		PA	PA
Center Terminal		Brass (Tin plated)	Brass (Tin plated)
Side Terminal		Brass(Tin plated)	Brass(Tin plated)
Centre Contact		Brass(Tin plated)	Brass(Tin plated)
Fixing		Sanp Mounting	Sanp Mounting
Electrical Endurance		10,000 Cycles	10,000 Cycles
Sp. colour available on MOQ.			

Series Also Includes...



PRS 1



PRS 2



PRS 4



PRS 5



PRS 6



PRS 10



PRS 11



PRS 16



PRS 18 202