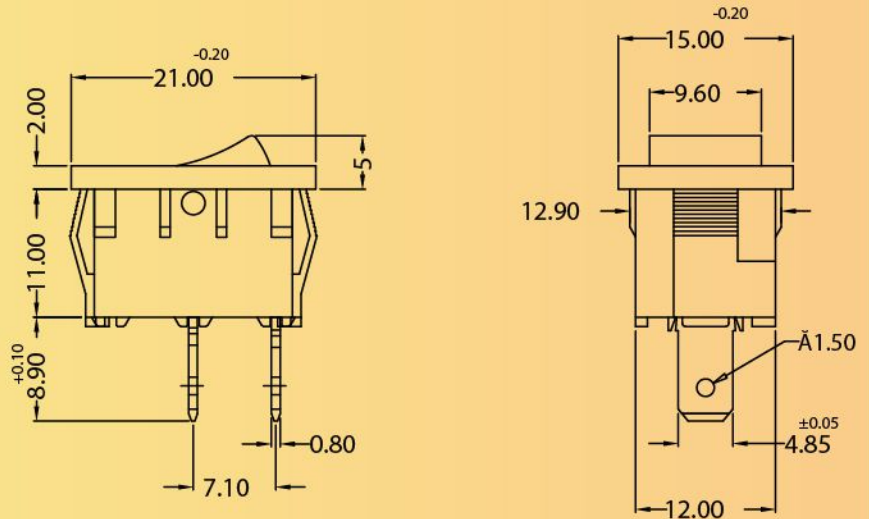


PRS 2 bell type



Circuit Diagram



PRS 2 bell type

TECHNICAL SPECIFICATION

Note: All Dimension are in mm

PARAMETERS	SERIES	PRS 2-2A
Switch Type		Non-Illuminated
Model		SPST (Momentary-Push to ON)
Current Rating		2A 250V AC
Insulation Resistance		> 100 M ohm min 500V DC
Dielectric Strength		> 1KV, 1 Minute
contact Resistance		10M Ohms mix.
Terminal Style		Fast On 4.8x0.80mm
Permissible Temp. for Soldering		270°, 5 sec. Max.
Moulded Material (Housing)		PA
Moulded Material (Rocker)		PA
Center Terminal		Brass (Tin plated)
Side Terminal		Brass (Tin plated)
Centre Contact		Brass/Copper (Dimple)
Fixing		Sanp Mounting
Electrical Endurance		10,000 Cycles
Sp. colour available on MOQ.		



PRS 2



PRS 3



PRS 4



PRS 5



PRS 6



PRS 10



PRS 16



PRS 17 203



PRS 18 202