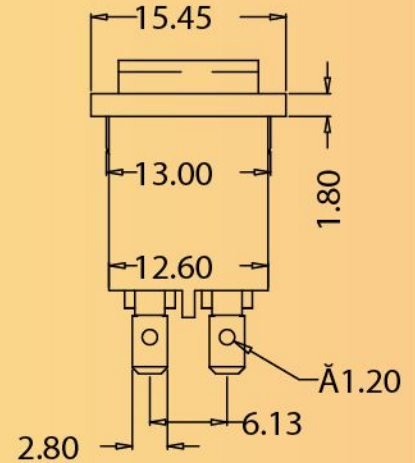
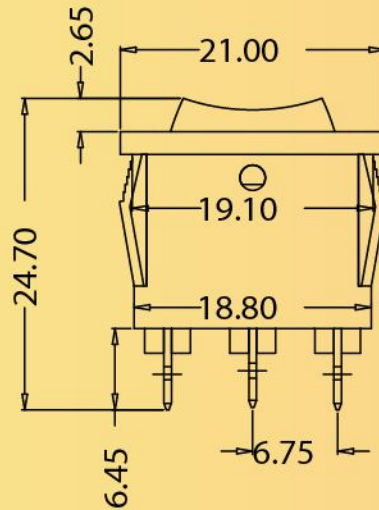
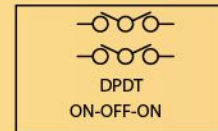


PRS 5 203



Circuit Diagram



PRS 5 203

TECHNICAL SPECIFICATION

Note: All Dimension are in mm

PARAMETERS	SERIES	PRS 5-6A
Switch Type		Non-Illuminated
Model		DPDT - C. OFF
Current Rating		6A 250V AC/9A, 125V DC
Insulation Resistance		> 100 M ohm min 500V DC
Dielectric Strength		> 1KV, 1 Minute
contact Resistance		10M Ohms mix.
Terminal Style		Fast On 4.8x0.80mm
Permissible Temp. for Soldering		270°, 5 sec. Max.
Moulded Material (Housing)		PA
Moulded Material (Rocker)		PA
Center Terminal		Brass (Tin plated)
Side Terminal		Brass (Tin plated)
Centre Contact		Brass (Tin plated)
Fixing		Sanp Mounting
Electrical Endurance		10,000 Cycles
Sp. colour available on MOQ.		

Series Also Includes...



PRS 2



PRS 16 201



PRS 6