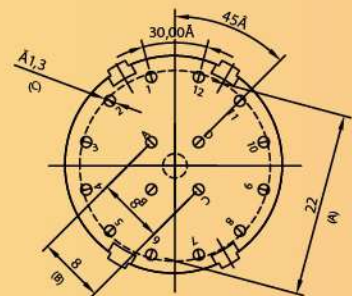
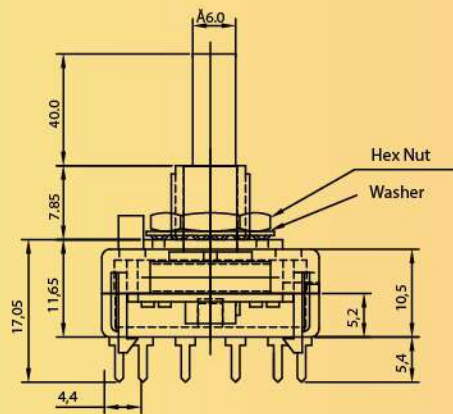




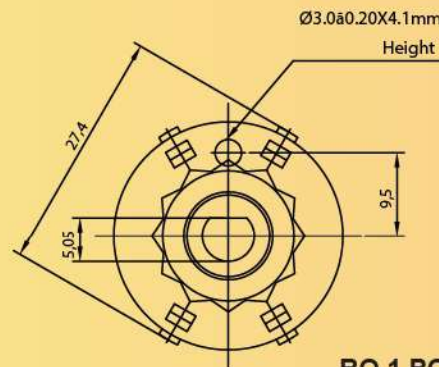
PRIME COMPONENTS

"Connections for life"

ROTARY SWITCH SERIES INDUSTRIAL GRADE



Note: (A)=PCD :22.0mm
 (2)=PCD : 8.0mm
 (C)=PCB Holes : 12-Ø1.30mm
 Throw angle: 30°



Continuity step	
1st : A1	7th : A7
2nd : A2	8th : A8
3rd : A3	9th : A9
4th : A4	10th : A10
5th : A5	11th : A11
6th : A6	12th : A12

RO 1 POLE 12 WAY 40 MM

RO 1 POLE 12 WAY 40 MM

TECHNICAL SPECIFICATION

Note: All Dimension are in mm

SERIES

RO INDUSTRIAL GRADE

PARAMETERS

no. of Poles	1
Type	2 to 12 way
Current Rating	150mA/250 VAC(switching) & 5A(Non-Switching)
Insulation Resistance	> 1000 Mohms min. at 500V DC
Dielectric Strength	>2 KV
Breakdown Voltage	500 VAC (50Hz 2 mA)
Moulded Parts	Engineering Thermoplastic
Terminal & Wiper	Tin/Silver Plated
Spring	Steel
Nut	Brass/Zinc
Electrical Endurance	5,000 Cycles @ 80 Watt Fan Load
Operating Torque	1200gm.cm+3000gm.cm
Axial Load	5Kg Min.
End Torque	4kg.cm Max.
Torque (Nut)	0.80 Nm Max.
Sp. colour available on MOQ.	

Series Also Includes...



RO 40 MM



RO 26 MM



TOYO BIG



RO 26 MM



4 STEP MINI
18mm



MINI ROF
18 MM

Off / Works : 830, GIDC Estate, Makarpura, Vadodara - 390010



www.primecomponents.net



+91-265-6642566/6670078, +91 9687676700



sales@primecomponents.net