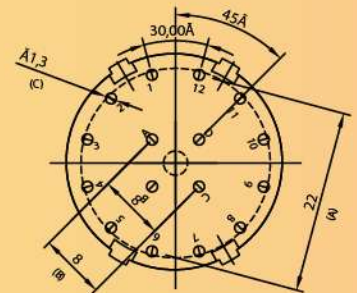
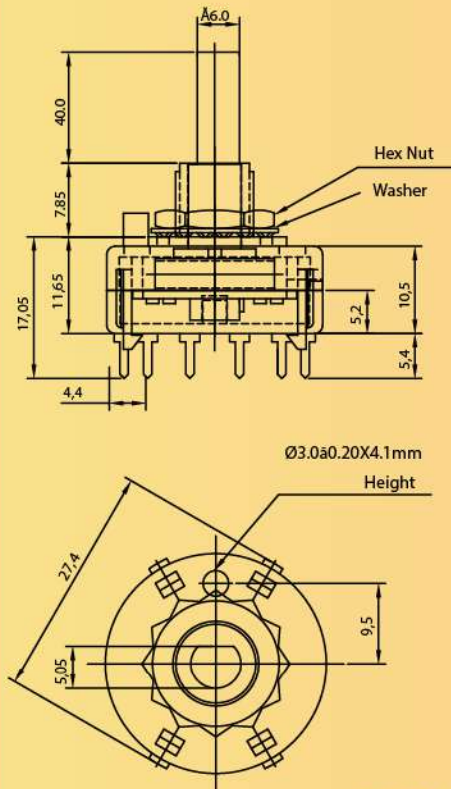




PRIME COMPONENTS

"Connections for life"

ROTARY SWITCH SERIES INDUSTRIAL GRADE



Note : (A)=PCD :22.0mm
(2)=PCD : 8.0mm
(C)=PCB Holes : 12-Ø1.30mm
Throw angle: 30°

Continuity step
1st : A1,B4,C7,D10
2nd : A2,B5,C8,D11
3rd : A3,B6,C9,D12

RO 4 pole 3way 40 MM

RO 4 pole 3way 40 MM

TECHNICAL SPECIFICATION

Note: All Dimension are in mm

PARAMETERS	SERIES	RO INDUSTRIAL GRADE
no. of Poles		4
Type		2 to 3 way
Current Rating		150mA/250 VAC(switching) & 5A(Non-Switching)
Insulation Resistance		> 1000 Mohms min. at 500V DC
Dielectric Strength		>2 KV
Breakdown Voltage		500 VAC (50Hz 2 mA)
Moulded Parts		Engineering Thermoplastic
Terminal & Wiper		Tin/Silver Plated
Spring		Steel
Nut		Brass/Zinc
Electrical Endurance		5,000 Cycles @ 80 Watt Fan Load
Operating Torque		1200gm.cm+3000gm.cm
Axial Load		5Kg Min.
End Torque		4kg.cm Max.
Torque (Nut)		0.80 Nm Max.
Sp. colour available on MOQ.		

Series Also Includes...



RO 40 MM



RO 26 MM



TOYO BIG



RO 26 MM



4 STEP MINI
18mm



MINI ROF
18 MM

Off / Works : 830, GIDC Estate, Makarpura, Vadodara - 390010

www.primecomponents.net

+91-265-6642566/6670078, +91 9687676700

sales@primecomponents.net