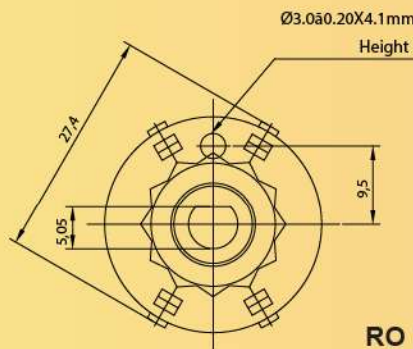


Note : (A)=PCD :22.0mm  
(2)=PCD : 8.0mm  
(C)=PCB Holes : 12-Ø1.30mm  
Throw angle: 30°



Continuity step

- 1st : A1,B4,C7,D10
- 2nd : A2,B5,C8,D11
- 3rd : A3,B6,C9,D12

RO 26 MM 4 POLE 3 WAY

RO 26 MM 4 POLE 3 WAY

### TECHNICAL SPECIFICATION

Note: All Dimension are in mm

PARAMETERS	SERIES	RO 26 mm
no. of Poles		1
Type		2 to 12 way
Current Rating		150mA/250 VAC(switching) & 5A(Non-Switching)
Insulation Resistance		> 1000 Mohms min. at 500V DC
Dielectric Strength		>2 KV
Breakdown Voltage		500 VAC ( 50Hz 2 mA)
Moulded Parts		Engineering Thermoplastic
Terminal & Wiper		Tin/Silver Plated
Spring		Steel
Nut		Brass/Zinc
Electrical Endurance		5,000 Cycles @ 80 Watt Fan Load
Operating Torque		1200gm.cm+3000gm.cm
Axial Load		5Kg Min.
End Torque		4kg.cm Max.
Torque ( Nut)		0.80 Nm Max.
Sp. colour available on MOQ.		

### Series Also Includes...



RO 40 MM



RO 26 MM



TOYO BIG



RO 26 MM



4 STEP MINI  
18mm



MINI ROF  
18 MM