

NOTE

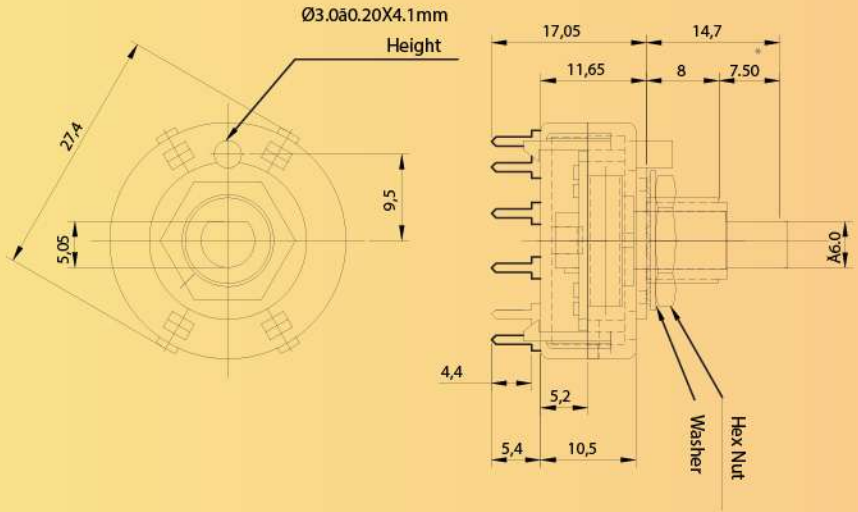
(A)=PCD :22.0mm

(B)=PCD : 8.0mm

(C)=PCB Holes:12-Ø1.30mm

Throw angle: 60°

ROF 221



Continuity step

0 : A1,6,8

1st : A3,8,10

2nd : A5,10,12

3rd : A7,12,2

4th : A9,2,4

5th : A11,4,6

ROF 221

### TECHNICAL SPECIFICATION

Note: All Dimension are in mm

SERIES

ROF 221

PARAMETERS

no. of Poles	1
Type	5 way Full rotation
Current Rating	150mA/250 VAC (switching) & 5A (Non-Switching)
Insulation Resistance	> 1000 Mohms min. at 500V DC
Dielectric Strength	>2 KV
Breakdown Voltage	500 VAC ( 50Hz 2 mA)
Moulded Parts	Engineering Thermoplastic
Terminal & Wiper	Tin/Silver Plated
Spring	Steel
Nut	Brass/Zinc
Electrical Endurance	5,000 Cycles @ 80 Watt Fan Load
Operating Torque	1200gm.cm+3000gm.cm
Axial Load	5Kg Min.
Torque ( Nut)	0.80 Nm Max.
Sp. colour available on MOQ.	

### Series Also Includes...



RO 40 MM



RO 26 MM



TOYO BIG



RO 26 MM



4 STEP MINI  
18mm



MINI ROF  
18 MM

Off / Works : 830, GIDC Estate, Makarpura, Vadodara - 390010

[www.primecomponents.net](http://www.primecomponents.net)

+91-265-6642566/6670078, +91 9687676700

[sales@primecomponents.net](mailto:sales@primecomponents.net)