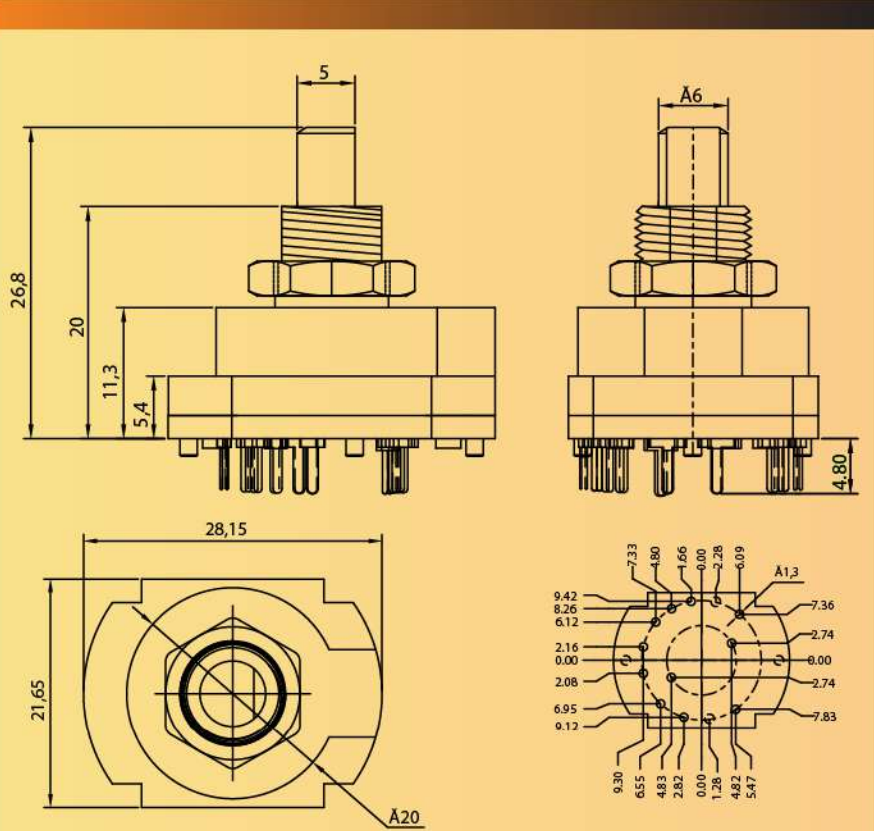




PRIME COMPONENTS

"Connections for life"

ROTARY SWITCH SERIES TOYO BIG



Toyo Big

Toyo Big

Series Also Includes...

TECHNICAL SPECIFICATION

Note: All Dimension are in mm

PARAMETERS	SERIES	Toyo Big
Type		1 P 5 way
Current Rating		150mA/250 VAC (switching) & 5A (Non-Switching)
Insulation Resistance		> 1000 Mohms min. at 500V DC
Dielectric Strength		> 2 KV
Breakdown Voltage		500 VAC (50Hz 2 mA)
Moulded Parts		Engineering Thermoplastic
Terminal & Wiper		Copper Alloy
Spring		Steel
Nut		Brass/Zinc
Contact resistance		< 10 milliohms (Initial)
Electrical Endurance		5,000 Cycles @ 80 Watt Fan Load
Operating Torque		0.08 - 0.12 Nm
Axial Load		3 Kg Min.
Torque (Nut)		0.80 Nm
Sp. colour available on MOQ.		



4 STEP MINI



RO 26MM ROP



RO 26 MM



TOYO MINI



MINI ROF
18 MM



RO-40 MM

Off / Works : 830, GIDC Estate, Makarpura, Vadodara - 390010

www.primecomponents.net

+91-265-6642566/6670078, +91 9687676700

sales@primecomponents.net